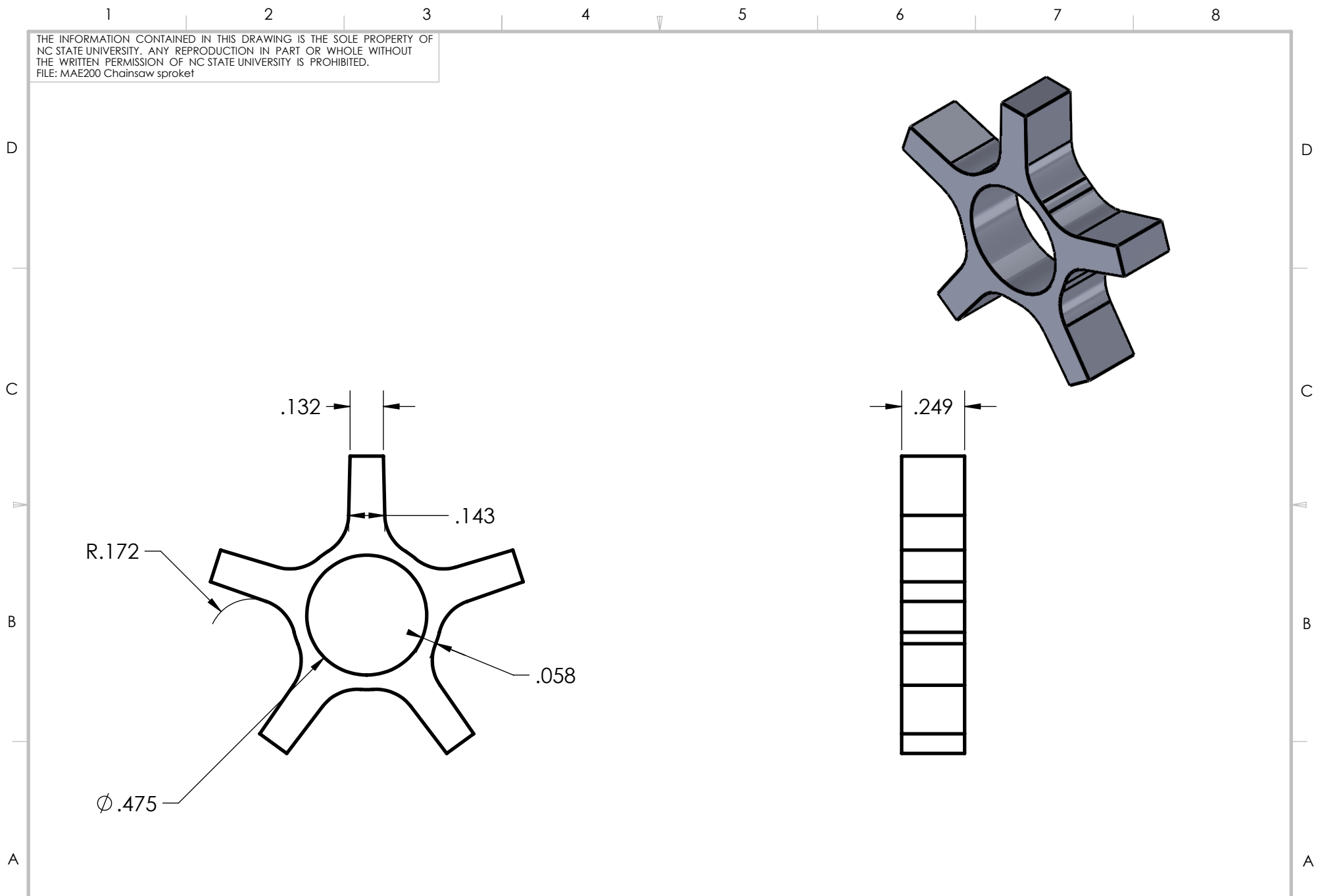


THE INFORMATION CONTAINED IN THIS DRAWING IS THE SOLE PROPERTY OF NC STATE UNIVERSITY. ANY REPRODUCTION IN PART OR WHOLE WITHOUT THE WRITTEN PERMISSION OF NC STATE UNIVERSITY IS PROHIBITED.  
 FILE: MAE200 Chainsaw sprocket



NORTH CAROLINA STATE UNIVERSITY P.O. BOX 7801 Raleigh, North Carolina	UNLESS OTHERWISE SPECIFIED DIMENSIONS ARE IN INCHES TOLERANCES ARE: FRACTIONS DECIMALS ANGLES + .XX+ .XX + 1 .XXX+.XXX	DRAWN	ALEX FORD	DATE	9/17	TITLE	CHAINSAW SPROCKET	
		MATERIAL	STEEL	SCALE	2:1	SIZE	PRT. NO.	#
						A	1	1